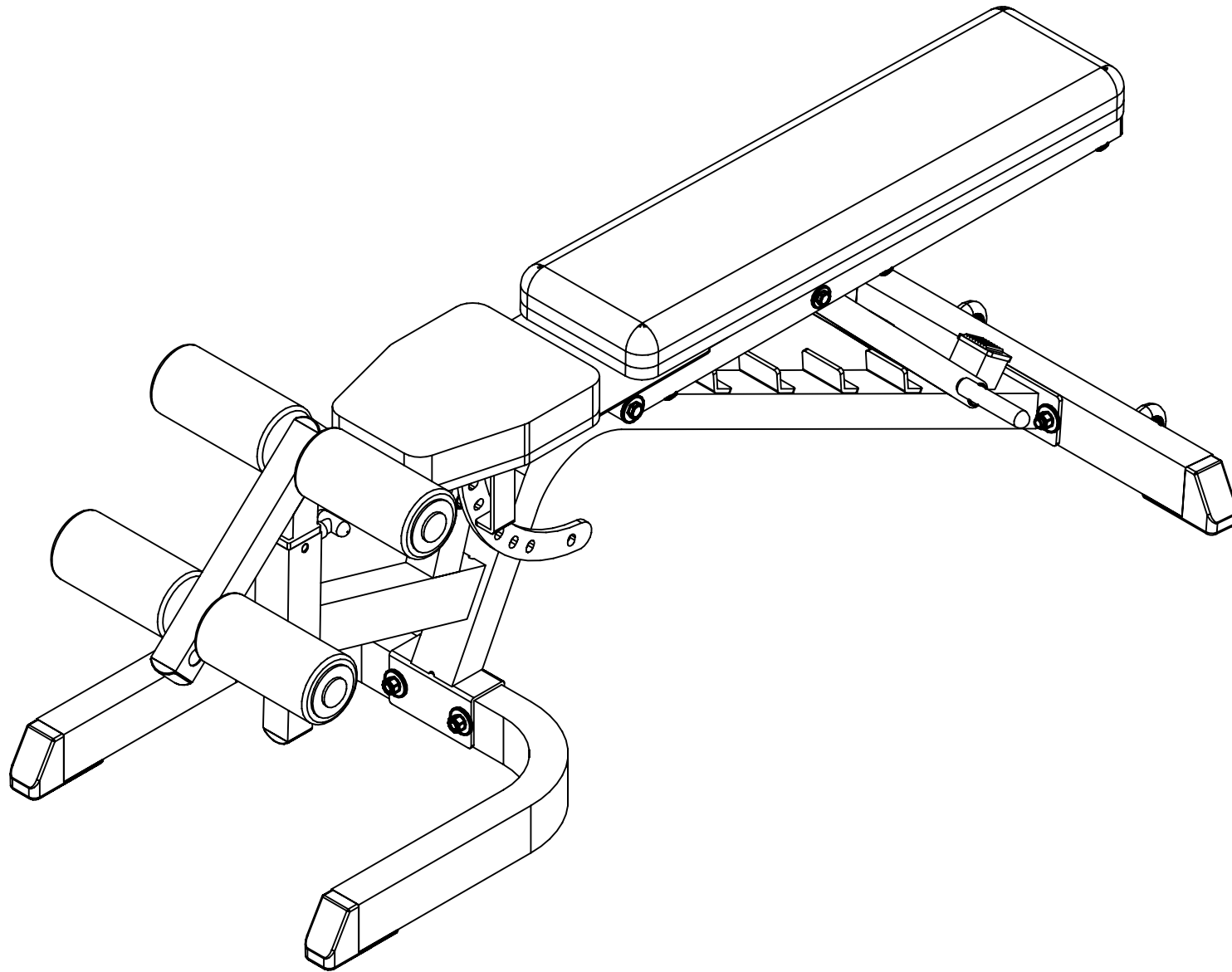


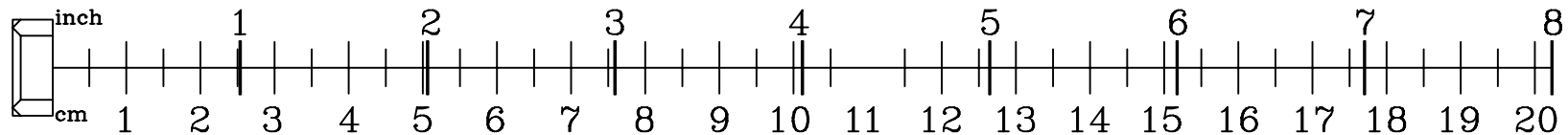
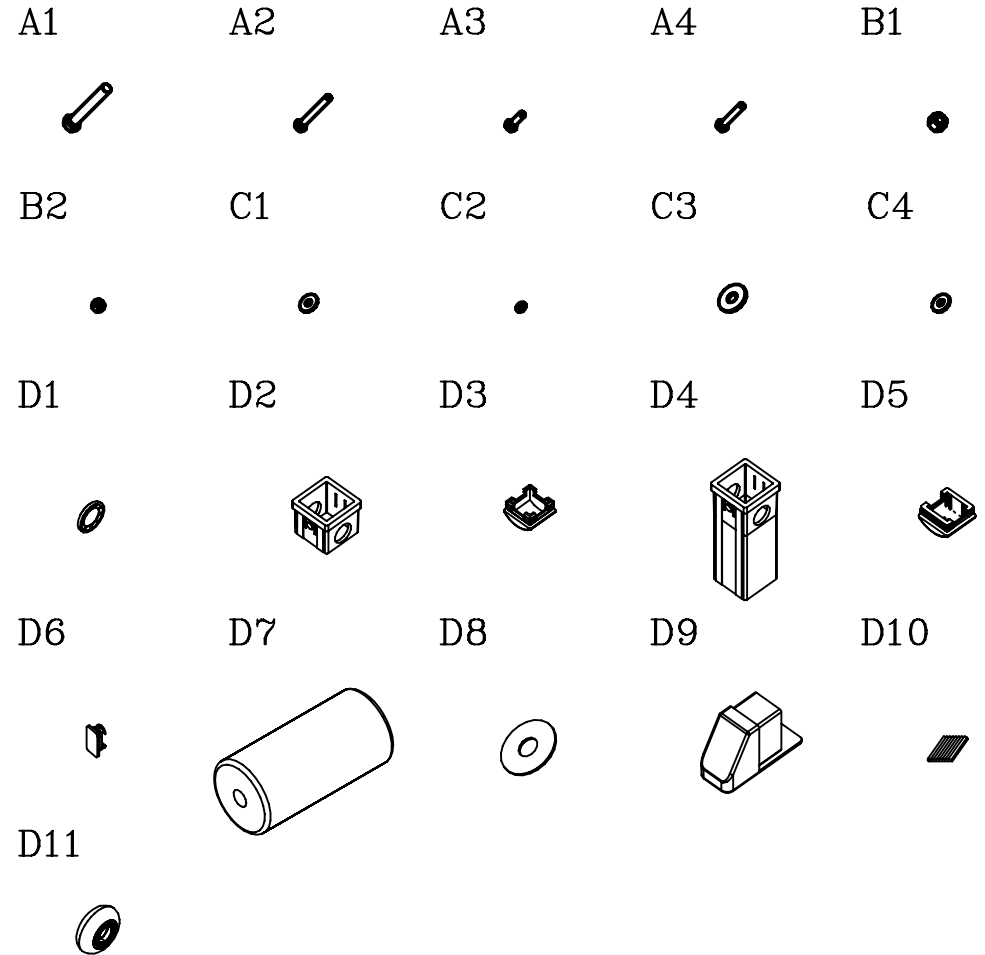
GFID-71



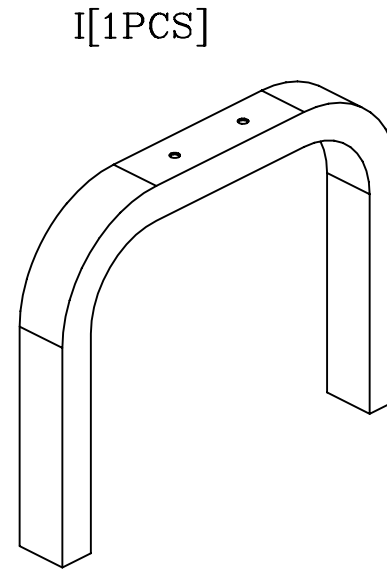
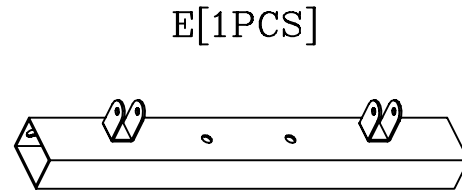
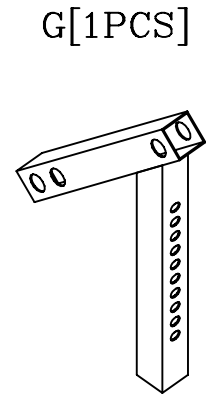
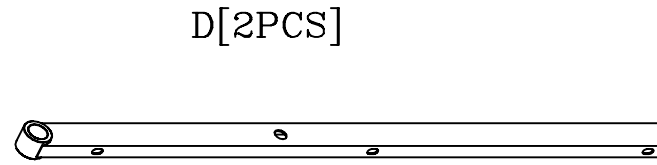
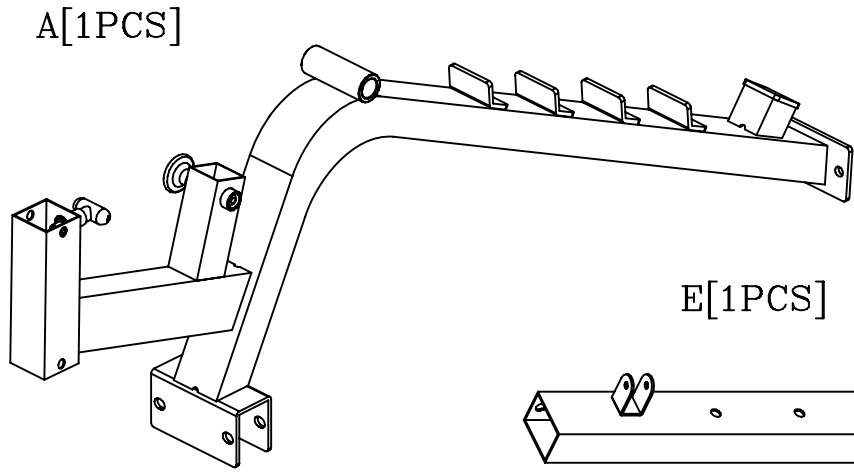
VERSION 0506

GFID-71 HARDWARE ILLUSTRATION SHEET

	Qty.
A1. M12X80 HEX HEAD BOLT	[4PCS]
A2. 5/16"X2 1/4" HEX HEAD BOLT	[6PCS]
A3. 5/16"X1" HEX HEAD BOLT	[4PCS]
A4. M8X45 HEX HEAD BOLT	[2PCS]
B1. M12 NYLON LOCK NUT	[4PCS]
B2. M8 NYLON LOCK NUT	[2PCS]
C1. 5/16"(I.D) WASHER	[10PCS]
C2. 5/16" SPRING WASHER	[10PCS]
C3. M12(I.D) WASHER	[8PCS]
C4. M8(I.D) WASHER	[4PCS]
D1. ϕ 1" ROUND END CAP (8341-033)	[4PCS]
D2. 60X45 NYLON BUSHING (9211-032)	[1PCS]
D3. 45X45 END CAP (9211-091)	[3PCS]
D4. 60X45 NYLON BUSHING (9211-047)	[1PCS]
D5. 2"X2"X1.8 END CAP (9211-087)	[1PCS]
D6. 20X40 END CAP (9211-008)	[2PCS]
D7. FOAM ROLLER (9161-009)	[4PCS]
D8. ϕ 3" NYLON WASHER (9214-008)	[4PCS]
D9. 2"X3" FOOT CAP (9211-048)	[4PCS]
D10. 38X38 RUBBER BAR CATCH (9310-001)	[1PCS]
D11. ϕ 64 PULLEY (9213-023)	[2PCS]



GFID-71 PARTS ILLUSTRATION SHEET

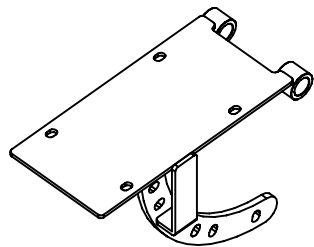
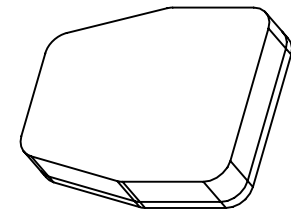
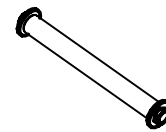
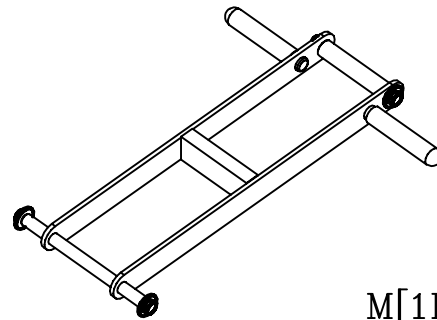


F[1PCS]

N[1PCS]

J[1PCS]
9121-051

C[1PCS]



M[1PCS]
9125-011

K[1PCS]
9112-021

H[2PCS]

