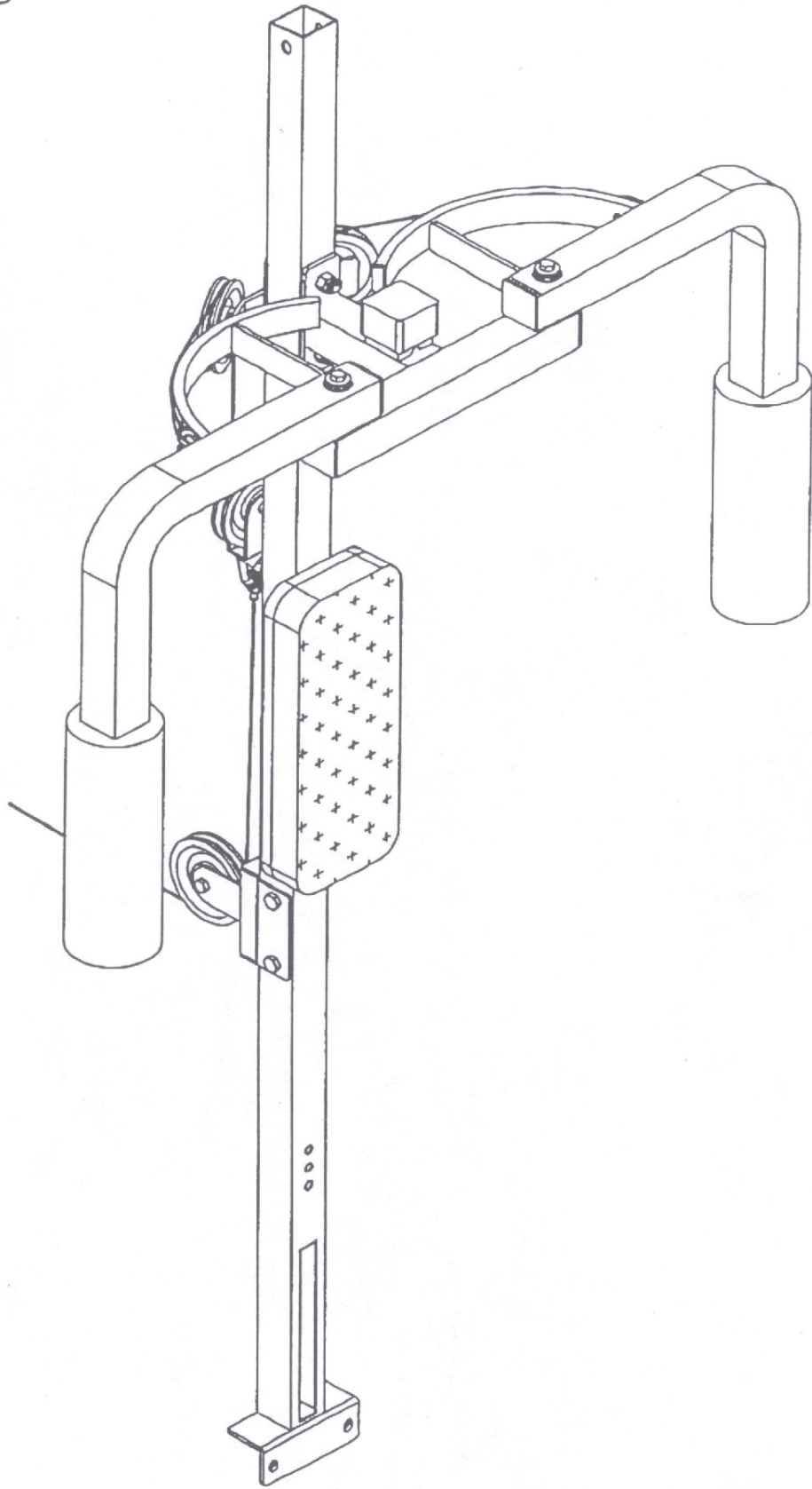


PPA-13



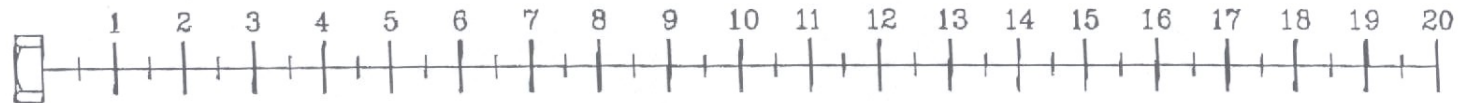
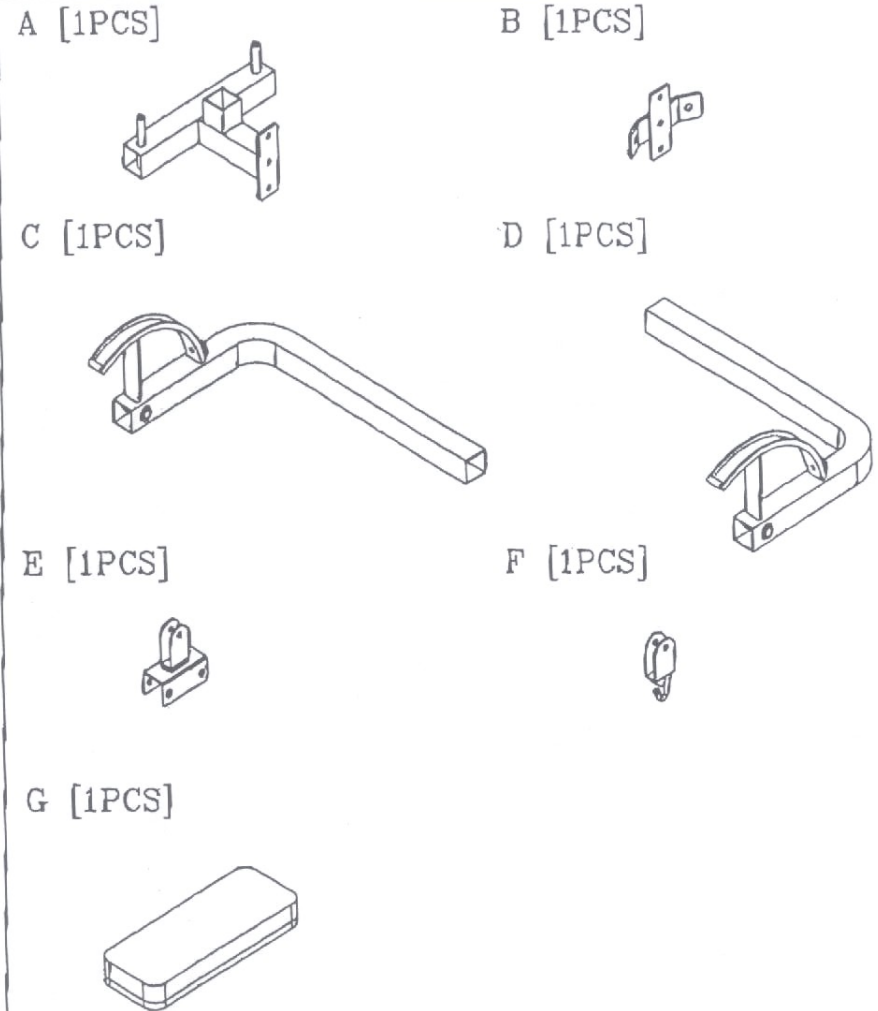
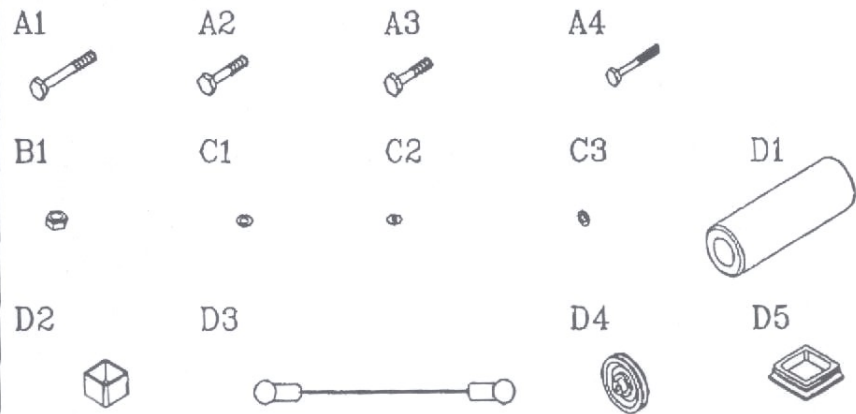
VERSION 0208

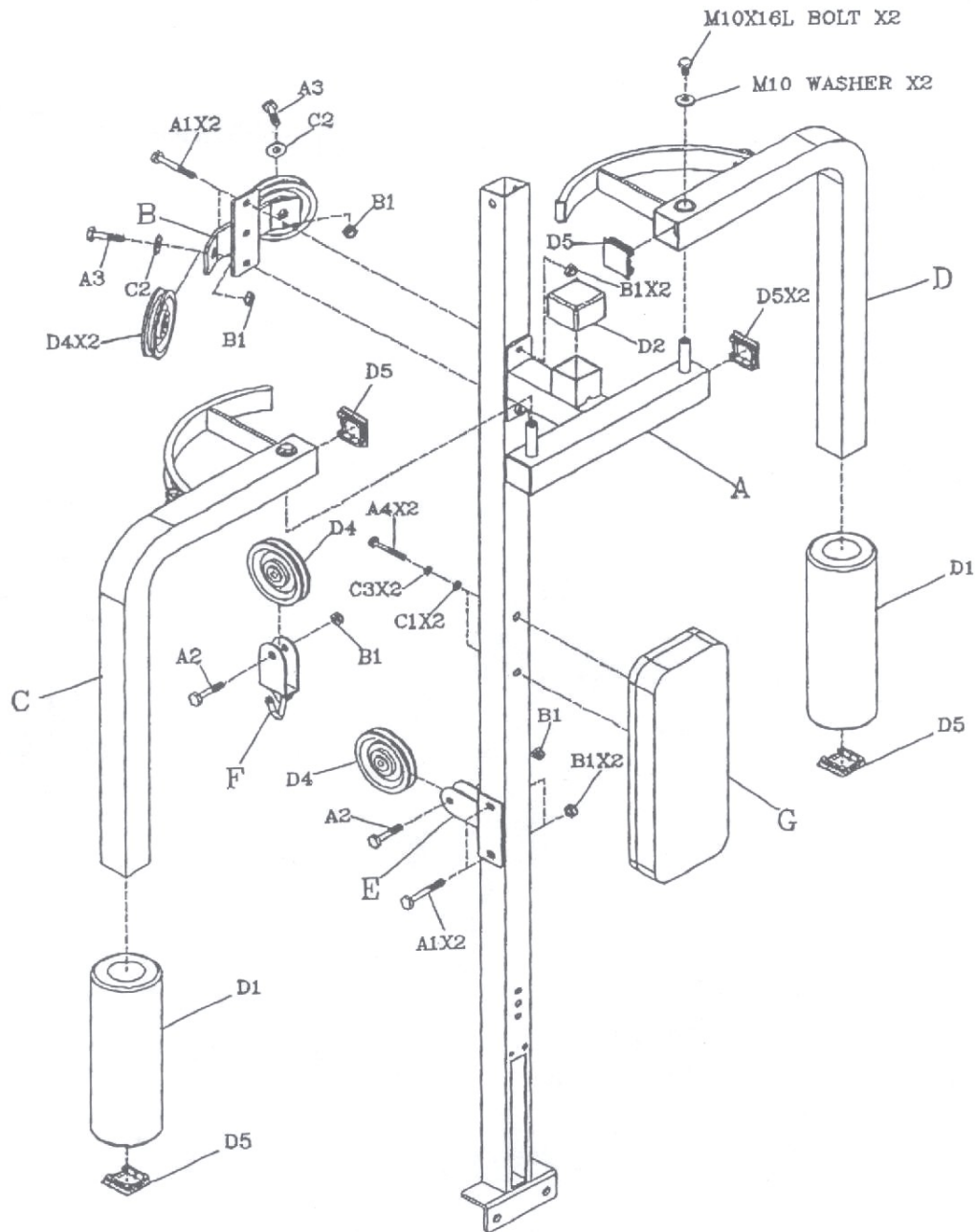
PPA-13

HARDWARE ILLUSTRATION SHEET

PARTS ILLUSTRATION SHEET

	Qty.
A1. M10X70 HEX HEAD BOLT -----	[4PCS]
A2. M10X50 HEX HEAD BOLT -----	[2PCS]
A3. M10X40 HEX HEAD BOLT -----	[2PCS]
A4. M8X65 HEX HEAD PAD BOLT -----	[2PCS]
B1. M10 NYLON LOCK NUT -----	[8PCS]
C1. M8 (I.D) WASHER -----	[2PCS]
C2. M10 (I.D) WASHER -----	[2PCS]
C3. M8 SPRING WASHER -----	[2PCS]
D1. FOAM ROLLER (9161-011) -----	[2PCS]
D2. 2"X2" PLASTIC COVER (9310-020) -----	[1PCS]
D3. STEEL CABLE (FPA3) -----	[1PCS]
D4. PULLEY WHEEL (9213-001) -----	[4PCS]
D5. 2"X2" END CAP (9211-005) -----	[6PCS]





PPA-13

